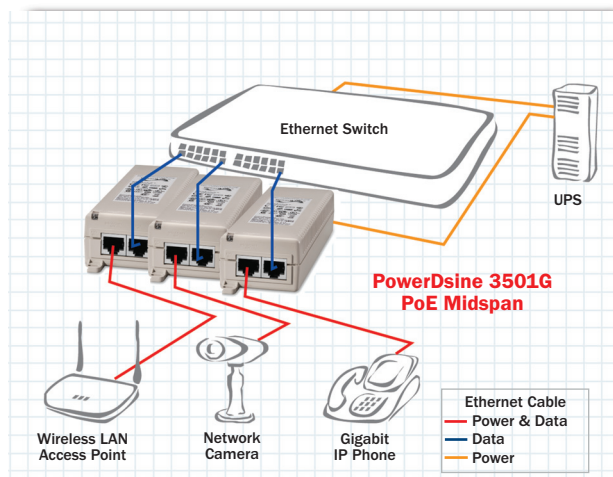


# PowerDsine® 3501/3501G

Single-port Midspan, 802.3af Compliant, up to Gigabit PoE



## Overview

PowerDsine's 3501/3501G Power over Ethernet (PoE) single port Midspan (PoE injector) offers a compact and cost effective, fully IEEE 802.3af compliant solution for IP phones, WLAN access points, network cameras and other IP terminal installations.

The 3501 PoE Midspan provides a compact, affordable, safe and reliable power solution over existing Ethernet infrastructure.

## PD-3501/3501G Features

- Safe powering of 802.3af compliant, as well as Pre-standard end-terminals
- Investment protection of existing Ethernet switches and cabling infrastructure
- Saves time and reduces installation costs
- Easy plug-and-play installation
- Supports Gigabit Ethernet data transmission for applications such as Wi-Max access points, Gigabit IP phones, and IP cameras

## PD-3501/3501G Specifications

<b>No. of Ports</b>	1
<b>Pass Through Data Rates</b>	10/100/1000 Mbps
<b>Power over Ethernet Output</b>	Pin Assignment and Polarity: 4/5 (+), 7/8 (-) Output Power Voltage: 48Vdc Output Power: 15.4 Watts (Guaranteed)
<b>Input Power Requirements</b>	AC Input Voltage: 90 to 264 Vac AC Input Current: 0.5A @ 100-240 Vac AC Frequency: 47 to 63 Hz
<b>Dimensions</b>	53 mm (W) x 32.5 mm (H) x 140 mm (L) 2.09 in. x 1.28 in. x 5.5 in
<b>Weight</b>	0.44 lbs (200g)
<b>Indicators</b>	User Indicator: Channel Power (Green)
<b>Connectors</b>	Shielded RJ-45, EIA 568A and 568B
<b>Environmental Conditions</b>	Operating Ambient Temperature: 32° to 104°F (0 to 40°C) Operating Humidity: Maximum 90%, Non-condensing Storage Temperature: -4° to 158°F (-20° to 70°C) Storage Humidity: Maximum 95%, Non-condensing Operating Altitude: -1000 to 10,000 ft. (-304.8 to 3048 m)
<b>Reliability</b>	MTBF: 100,000 hrs. @25°C
<b>Thermal Rating</b>	13 BTU/Hr (@240Vac)
<b>Warranty</b>	1-year
<b>Regulatory Compliance</b>	IEEE 802.3af (PoE), RoHS Compliant WEEE Compliant, CE
<b>Electromagnetic Emission &amp; Immunity</b>	FCC Part 15, Class B EN 55022 Class B EN 55024, VCCI
<b>Safety Approvals</b>	UL/cUL Per IEC 60950-1 GS Mark Per IEC 60950-1

## Ordering Information



Part Number	Name	Description
PD-3501/AC	PowerDsine 3501	1-port 10/100 Mbps
PD-3501G/AC	PowerDsine 3501G	1-port 10/100/1000 Mbps